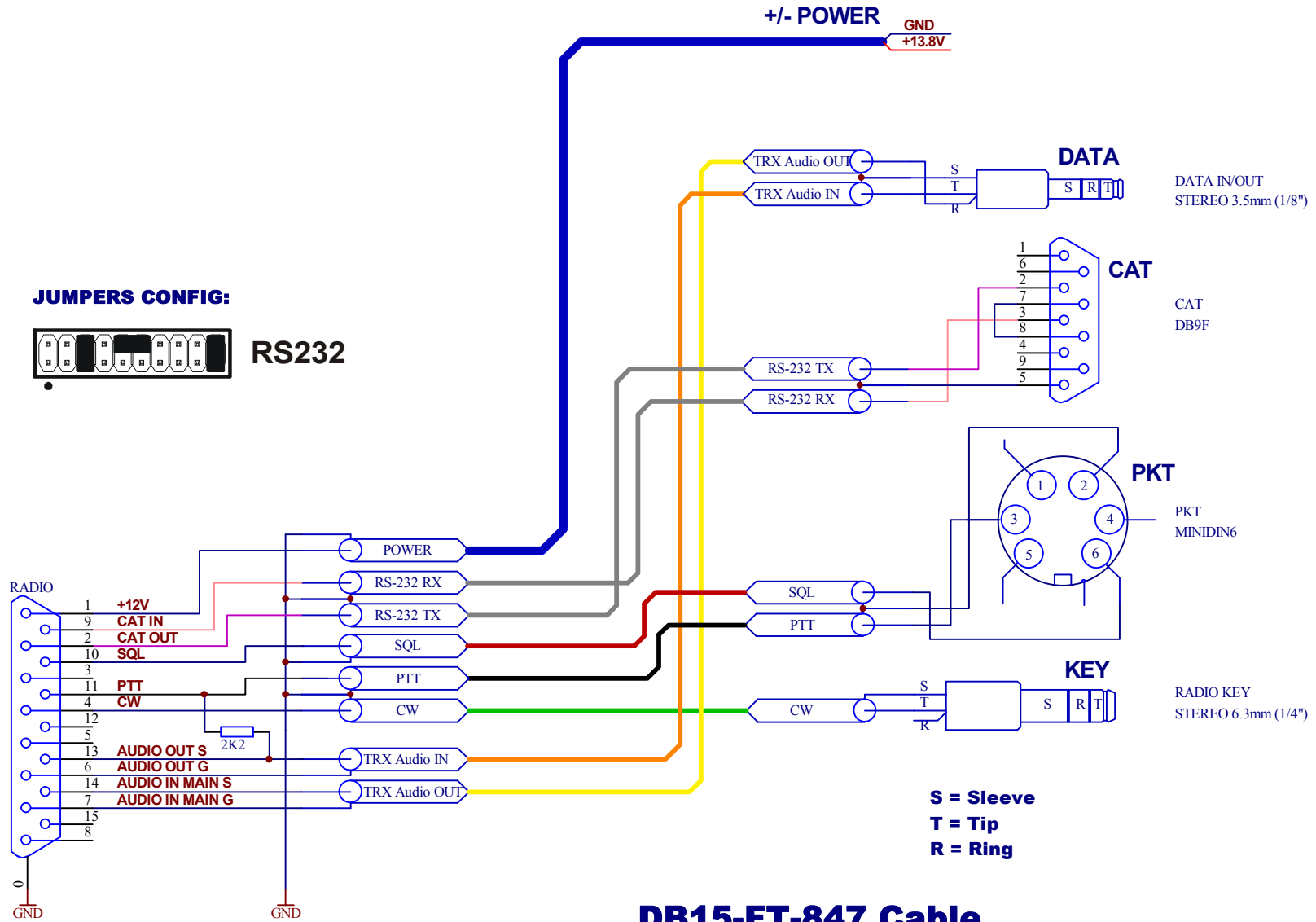


JUMPERS CONFIG:



RS232



DB15-FT-847 Cable

FT-847

**S = Sleeve
T = Tip
R = Ring**