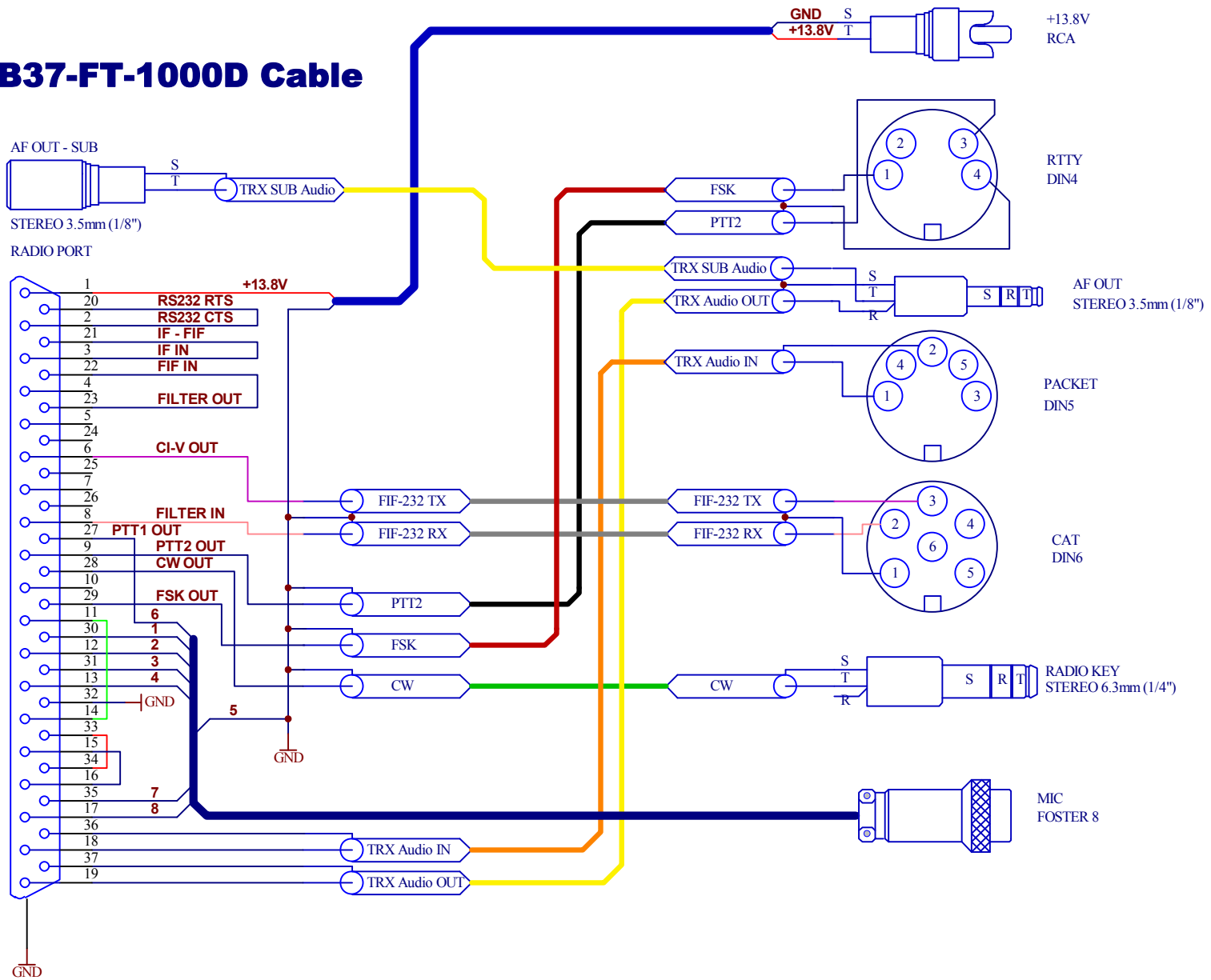


# DB37-FT-1000D Cable



**FT- 1000, 1000D**

**Notes:**

**PTT1 is used for CW/SSB, PTT2 for digital modes**

**S = Sleeve  
T = Tip  
R = Ring**