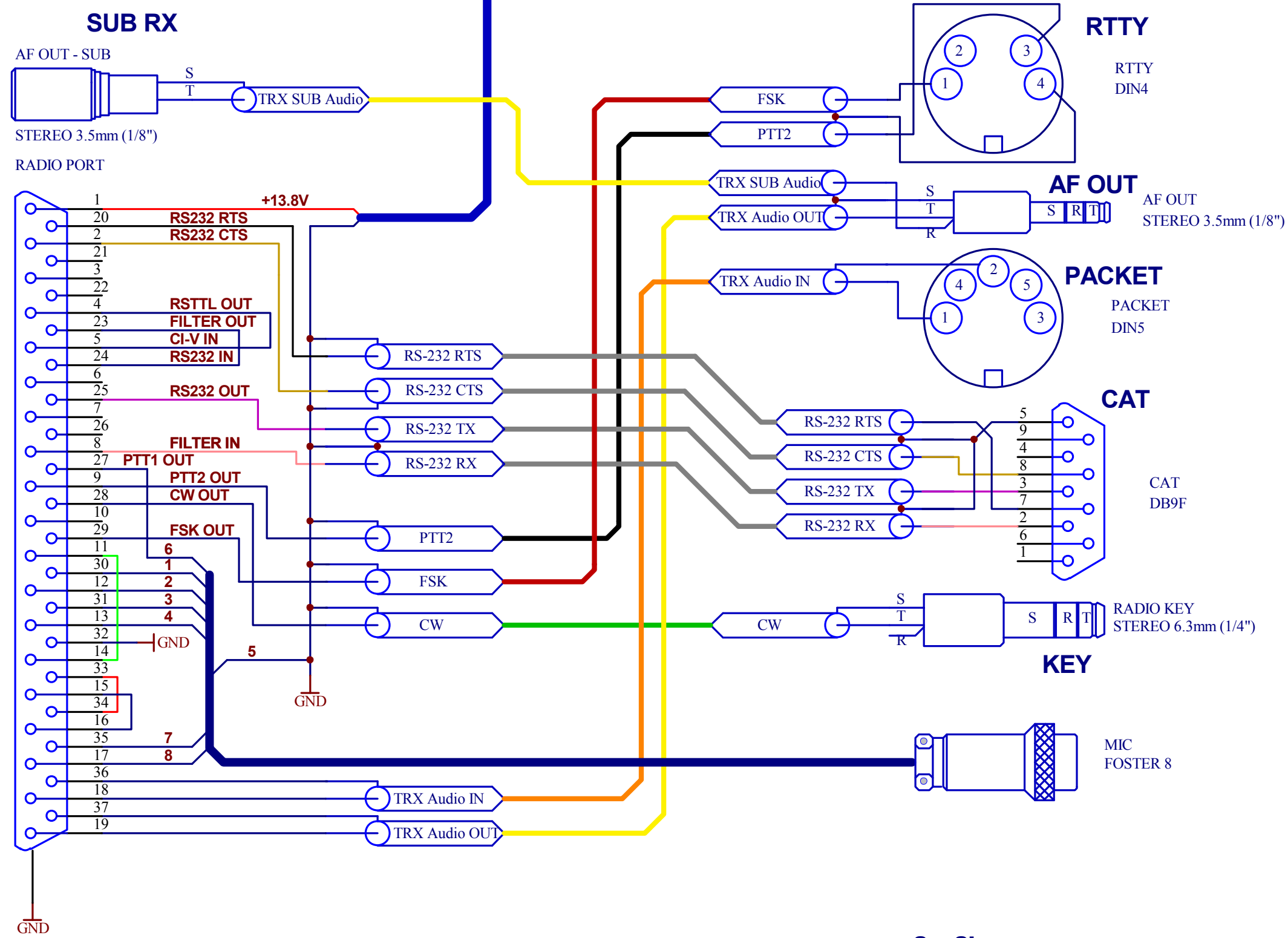


DB37-FT-2000 Cable



FT- 2000, 2000D

Notes:

PTT1 is used for CW/SSB, PTT2 for digital modes

S = Sleeve

T = Tip

R = Ring